



SLZ SERIES : Standard Series

FEATURES

- Wide Variety Of Actuators For Different Application
- Heavy Duty Aluminum Dia Cast Body
- Oil Tight, Water Tight And Dust Proof
- Double Spring Construction For Longer Mechanical Life



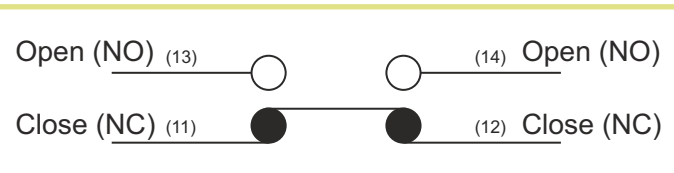
CHARACTERISTICS

| | |
|-----------------------|--|
| Operating Speed | 1mm-2m/s |
| Operating Frequency | Mechanical: 120 operations/minute |
| | Electrical: 30 operations/minuts |
| Contact Resistance | 15mΩ max. (initial value) |
| Insulation Resistance | 100mΩ min. (at 500VDC) |
| Dielectric Strength | 50/60Hz for 1 minute between terminals of the same polarity |
| | 50/60Hz for 1 minute between current Carrying and non-current carrying metal parts |
| | 1500VAC, 50/60Hz for 1 minute between each terminal and ground |
| Vibration | 10-55Hz, 1.5mm double amplitude |
| Shock | Mechanical durable: 1,000m/Sec2 (about 100G'S) |
| | Electrical: 300m/Sec2 (about 30G'S) |
| Ambient temperature | -10~+80°C (with no icing) |
| Humidity | <95%RH |
| Life | Mechanical: 10 million operations above |
| | Electrical: 500,000 operations above |
| Degree of protection | IP66 (IEC Standard) |

RATING

| Rated Voltage | Non-inductive Load (A) | | Inductive Load (A) | | | |
|---------------|------------------------|-----|--------------------|------------|-----|-----|
| | Resistance Load | | Lamp Load | Motor Load | | |
| | NC | NO | NC | NO | | |
| 125VAC | 10 | 3 | 1.5 | 10 | 5 | 2 |
| 250VAC | 5 | 2 | 1 | 5 | 3 | 1 |
| 480VAC | 3 | 1.5 | 0.8 | 3 | 1.5 | 0.8 |
| 600VAC | 1 | 1 | 0.5 | 1.5 | 1 | 0.5 |
| 8VDC | 10 | 6 | 3 | 10 | 6 | 6 |
| 14VDC | 10 | 6 | 3 | 10 | 6 | 6 |
| 30VDC | 6 | 4 | 3 | 6 | 4 | 4 |
| 125VDC | 0.8 | 0.2 | 0.2 | 0.8 | 0.2 | 0.2 |
| 250VDC | 0.4 | 0.1 | 0.1 | 0.4 | 0.1 | 0.1 |

CONTACT FORM



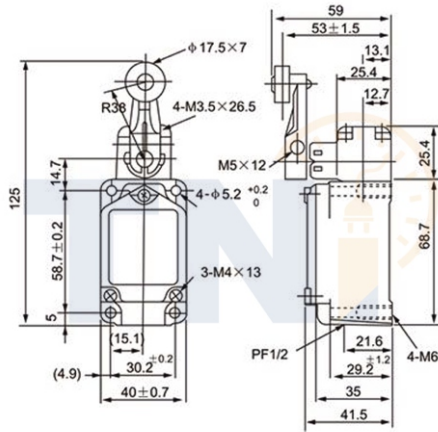
ORDER CODE

| MODEL | DESCRIPTION |
|----------|----------------------------|
| SLZ-204S | ROLLER LEVER |
| SLZ-208S | MS ADJUSTABLE ROLLER LEVER |
| SLZ-211 | PLUG COLUMN |
| SLZ-212 | ROLLER PLUG COLUMN |
| SLZ-222 | CROSS ROLLER PLUG COLUMN |
| SLZ-268 | SPRING WIRE HARD ROD |

OPERATING CHARACTERISTICS

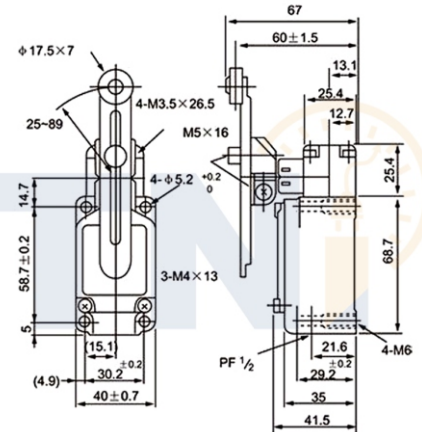
| MODEL | Operating Force | Release Force | Pre Travel | Over Travel | Movement Defential | Total Force | Total Travel |
|---------------------------------------|-----------------|---------------|------------|-------------|--------------------|-------------|--------------|
| ROLLER LEVER (SLZ-204S) | 1360g | 227g | 20° | 30° | 12° | 2720g | 50° |
| MS ADJUSTABLE ROLLER LEVER (SLZ-208S) | 1360g | 227g | 20° | 30° | 12° | 2720g | 50° |
| PLUG COLUMN (SLZ-211) | 2720g | 910g | 1.7mm | 6.4mm | 1mm | - | 90+2.8mm |
| ROLLER PLUG COLUMN (SLZ-212) | 2720g | 910g | 1.7mm | 5.6mm | 1mm | - | 6.5+0.8mm |
| CROSS ROLLER PLUG COLUMN (SLZ-222) | 2720g | 910g | 1.7mm | 5.6mm | 1mm | 2720g | 6.5+0.8mm |
| SPRING WIRE HARD ROD (SLZ-268) | 80g | - | 28mm | - | - | - | - |

SLZ-204S



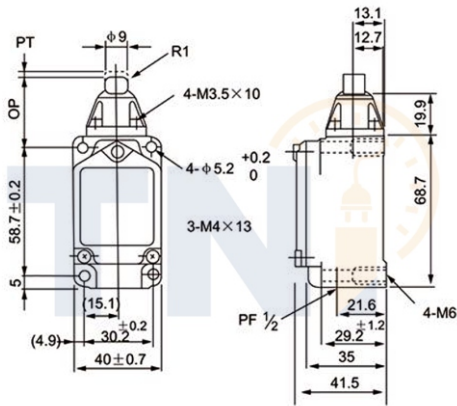
ROLLER LEVER

SLZ-208S



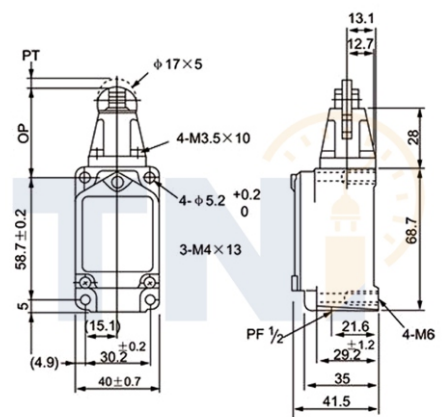
MS ADJUSTABLE ROLLER LEVER

SLZ-211



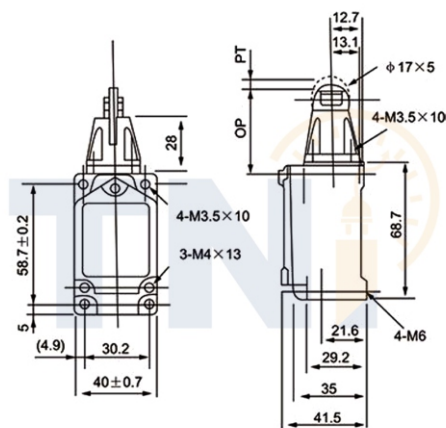
PLUG COLUMN

SLZ-212



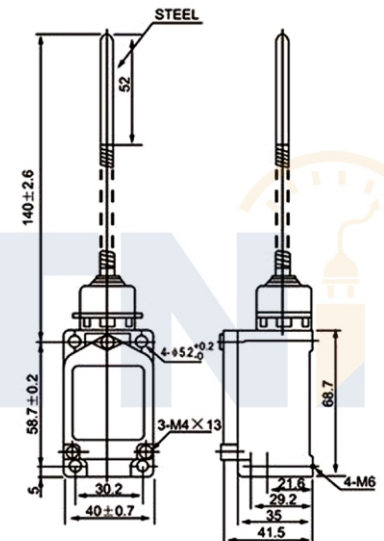
ROLLER PLUG COLUMN

SLZ-222



CROSS ROLLER PLUG COLUMN

SLZ-268



SPRING WIRE HARD ROD