



**PLE SERIES : Economical & Plastic body**

**FEATURES**

- Compact Design, Water and dust Proof
- High Grade ABS Plastic Body
- Wide Variety Of Actuators For Different Application
- Double Spring Construction For Longer Mechanical Life
- Contact Rating 10A/230VAC (resistive low)
- Positive opening NC Contact ( forcibly separates the NC contact even when there is contact deposit )



**CHARACTERISTICS**

Operating Speed	0.5mm-50cm/sec
Operating Frequency	Mechanical: 120 operations/minuts
	Electrical: 30 operations/minuts
Contact Resistance	25mΩ max.(initial value)
Insulation Resistance	100mΩ min.(below 500VDC)
Dielectric Strength	1000VAC, 50/60Hz for 1 minute between terminals of the same polarity
	1500VAC, 50/60Hz for 1 minute between current-carrying and non-current metal parts
	1500VAC, 50/60Hz for 1 minute between each terminal and ground
Vibration	10-55Hz, 1.5mm double amplitude
Shock	Mechanical durable: 1,000m/Sec <sup>2</sup> (about 100G'S)
	Electical: 300m/Sec <sup>2</sup> (about 30G'S)
Ambient temperature	-10~+65°C (with no icing)
Humidity	<95%RH
Life	Mechanical: 10 million operations above
	Electrical: 500,000 operations above
Degree of protection	IP65 (IEC Standard)

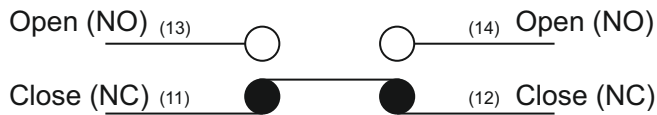
**RATING**

Rated Voltage	Non-inductive Load (A)		Inductive Load (A)					
	Resistance Load		Lamp Load		Inductive Load		Motor Load	
	NC	NO	NC	NO	NC	NO	NC	NO
125VAC	5	5	1.5	0.7	3	3	2	1
250VAC	5	5	1	0.5	3	3	1.5	0.8
8VDC	5	5	3	3	5	4	3	3
14VDC	5	5	3	3	4	4	3	3
30VDC	5	5	3	3	4	4	3	3
125VDC	0.4	0.4	-	-	-	-	-	-
250VDC	0.2	0.2	-	-	-	-	-	-

**ORDER CODE**

MODEL	DESCRIPTION	MPQ
PLE-101	PLUG COLUMN TYPE	10
PLE-103	ROLLER PLUG COLUMN TYPE	10
PLE-111	ONE WAY ROLLER ARM LEVER (HORIZONTAL)	10
PLE-121	ROLLER LEVER TYPE	10
PLE-131	ADJUSTABLE ROLLER LEVER	10
PLE-191	ADJUSTABLE BIG ROLLER LEVER	10

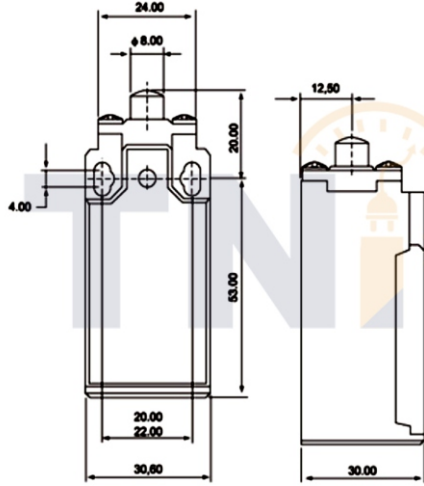
**CONTACT FORM**



**OPERATING CHARACTERISTICS**

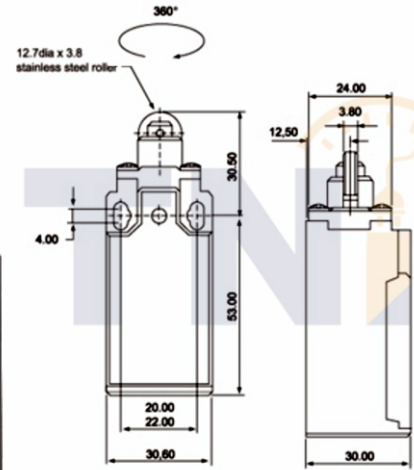
MODEL	Operating Force	Release Force	Pre Travel	Trapping Position	Movement Defential	Over Travel	Total Travel	Rotary Indexing
PLUG COLUMN TYPE (PLE-101)	700g	200g	1.8mm	2.0mm	1.2mm	4.0mm	5.8mm	-
ROLLER PLUG COLUMN TYPE (PLE-103)	700g	200g	1.8mm	2.0mm	1.2mm	4.0mm	5.8mm	-
ONE WAY ROLLER ARM LEVER (HORIZONTAL) (PLE-111)	700g	200g	1.8mm	2.0mm	1.2mm	4.0mm	5.8mm	-
ROLLER LEVER TYPE (PLE-121)	500g	100g-cm	20°	22.5°	10°	75°	95°	22.5°
ADJUSTABLE ROLLER LEVER (PLE-131)	500g-cm	100g-cm	20°	22.5°	10°	75°	95°	22.5°
ADJUSTABLE BIG ROLLER LEVER (PLE-191)	500g-cm	100g-cm	20°	22.5°	10°	75°	95°	22.5°

PLE-101



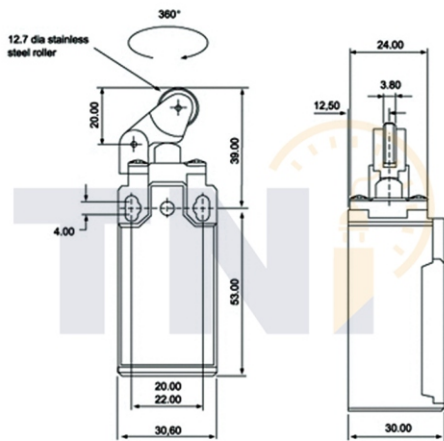
PLUG COLUMN TYPE

PLE-103



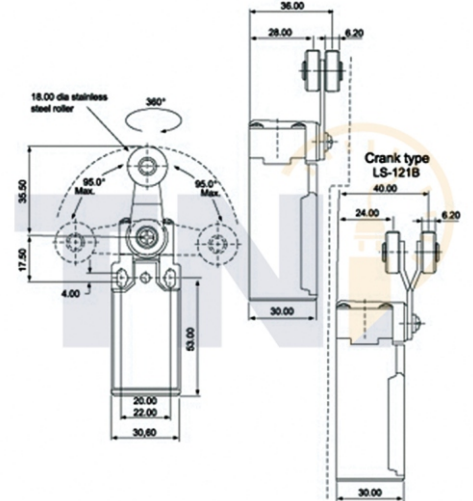
ROLLER PLUG COLUMN TYPE

PLE-111



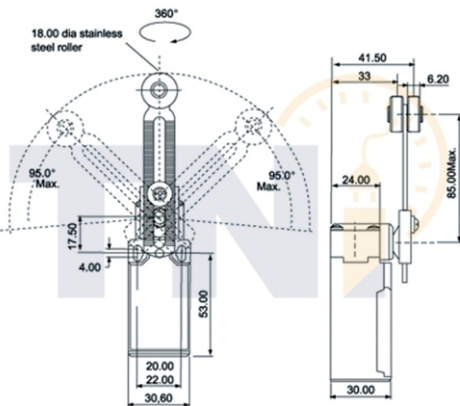
ONE WAY ROLLER ARM LEVER (HORIZONTAL)

PLE-121



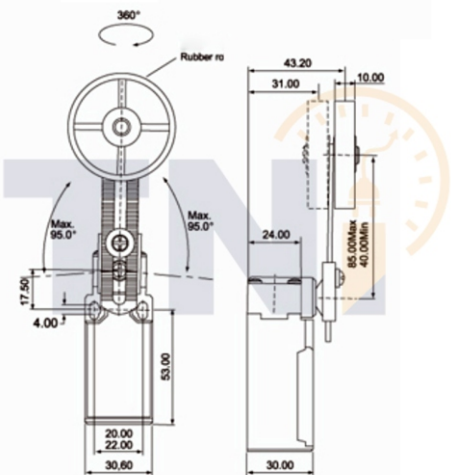
ROLLER LEVER TYPE

PLE-131



ADJUSTABLE ROLLER LEVER

PLE-191



ADJUSTABLE BIG ROLLER LEVER